

FULLY ASSISTED STANDING UP

THE MODELS FROM THE STAND UP SERIES REPRODUCE THE NATURAL HUMAN DYNAMICS WHEN COMING TO STANDING.

Traditional motorized standers apply a compression force on the femur axis at the beginning of the lifting maneuver: this means that knees and hips are loaded while they are flexing, i.e. in a position that is not ideal for the load. That is why applying a load is unsuitable or even dangerous for people with osteoarthritis of the knees and hips, those with consequences of a hip fracture, those with severe femoral osteoporosis and those who have undergone replacement hip operations (sometimes prone to dislocation).

The standing frame with seat completely removes this compression force and is therefore particularly safe and comfortable.



the model shown is code AV 11 4410

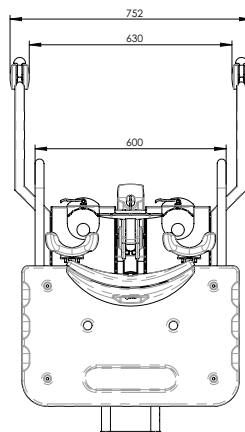
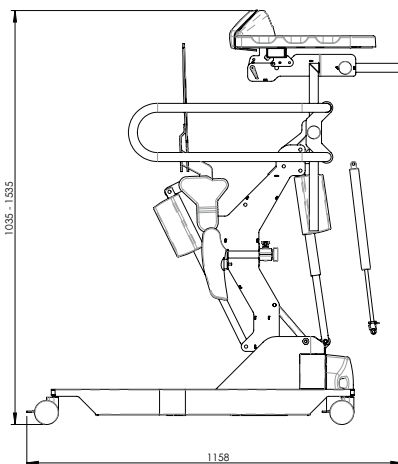
FITTING THE "SHAPED POCKET" ACCESSORY

To further ease accessibility.

The elongated seat is inserted into the shaped pocket located under the anti-decubitus cushion so that the user doesn't have to transfer from the wheelchair to the seat. It may be advisable that the user is watched or assisted by a carer if they are not strong enough to insert the seat into the shaped pocket.



TECHNICAL DATA



DESCRIPTION	STAND UP SERIES
Power-assisted lift	electric
Structure height adjustment	electric or gas
Overload protection	electronic
Overload indicator	acoustic and visual
Parking brake	on all 4 castors
Frame height from ground	31 mm
Operation time (lift)	about 30 lift cycles with user weighing 140 kg and charged batteries
Average battery charging time	6-8 hours
Battery charging level on equipment	multi-color display on equipment
Auto off	as standard
Fault diagnostics and maintenance	on display

ACCESSORIES



AC0014
LEG STRAP
to stabilize the legs



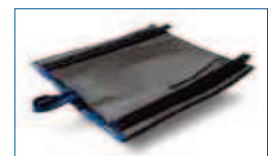
AC0044
BACK STRAP M
to restrain the trunk



AC0046
PADDING FOR LONG SEAT
for greater comfort



AC0047
FOOT STRAP
to stabilize the feet position



AC0048
POCKET FOR LONG SEAT
helps transfer from the wheelchair